

India's Premium Dosing Pumps



EDOSE MAX 200/300/400



EDOSE MAX 25/40/50/100

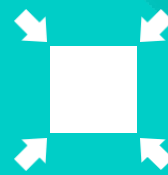
@dose[®] **MAX**

Mechanically actuated Diaphragm
Metering Pump

Another quality product from the
makers of popular **@dose**[®] pumps



HIGH EFFICIENCY
PTFE FACED COMPOSITE
DIAPHRAGM



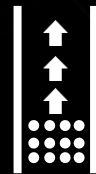
COMPACT
IN SIZE



ZERO LEAKAGE
DESIGN



BATH LUBRICATION
FOR ALL DRIVE
COMPONENTS



SUCTION LIFT
UPTO 1.5 MWC



TECHNICAL SPECIFICATION

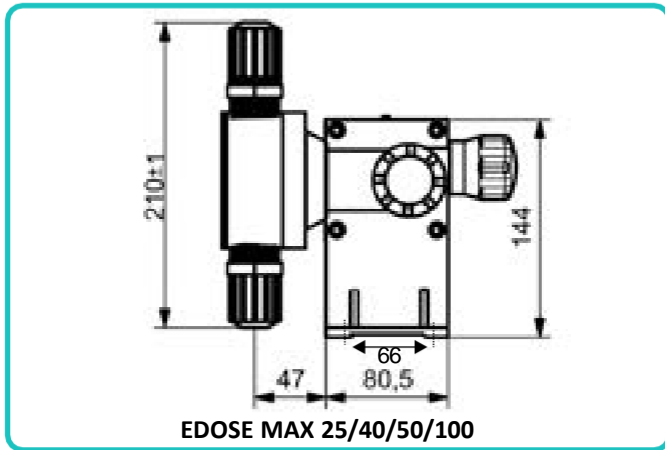
MODELS	CAPACITY	PRESSURE	END CONN.	TUBING	MOTOR RATING	INPUT SUPPLY
@dose [®] MAX	25 LPH	4 kg/cm ²	1/2" BSP	08 X 10 mm	40 W	230/415 V AC
@dose [®] MAX	40 LPH	4 kg/cm ²	1/2" BSP	08 X 10 mm	40 W	230/415 V AC
@dose [®] MAX	50LPH	4 kg/cm ²	1/2" BSP	08 X 10 mm	40 W	230/415 V AC
@dose [®] MAX	100 LPH	4 kg/cm ²	1/2" BSP	08 X 10 mm	40 W	230/415 V AC
@dose [®] MAX	200 LPH	5 kg/cm ²	1X1/4" BSP	12 X 16 mm	0.18 KW	415 V AC
@dose [®] MAX	300 LPH	5 kg/cm ²	1X1/4" BSP	12 X 16 mm	0.37 KW	415 V AC
@dose [®] MAX	400 LPH	5 kg/cm ²	1X1/4" BSP	12 X 16 mm	0.37 KW	415 V AC

Motors for 200LPH are 0.25HP, 415V, 3 Phase, 50Hz, IP55, 1320 RPM.

Motors for 300 and 400LPH are 0.5HP, 415V, 3 Phase, 50Hz, IP55, 1370 RPM.



GENERAL ASSEMBLY



MATERIAL OF CONSTRUCTION

EDOSE MAX 25/40/50/100

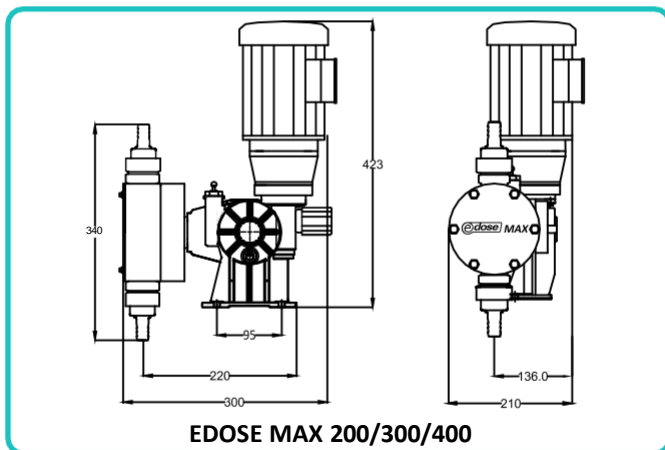
Wetted Parts	Regular	PTFE
Dosing Head	PP	PTFE
Diaphragm	PTFE Faced Composite	
NRV Ball	Borosilicate	Borosilicate
Injection Valve Ball	Borosilicate	Ceramic
Suction/Discharge Ass.	PP	PVDF
Tubing	PE	PTFE

EDOSE MAX 200/300/400

Wetted Parts	Regular	PTFE
Dosing Head	PP	PTFE
Diaphragm	PTFE Faced Composite	
NRV Ball	PTFE	PTFE
Injection Valve Ball	PTFE	PTFE
Suction/Discharge Ass.	PP	PTFE
Tubing	PVC	PTFE



GENERAL ASSEMBLY



SCOPE OF SUPPLY

- Metering Pump
- Suction Filter Cum Foot Valve
- Suction and Discharge connectors
- Injection / Back Pressure Assembly

