

The rotameter operation is based on Variable Area Principle. Fluid flow raises a float in a tapered tube, increasing the area of passage of the fluid. The greater the flow rate, the higher the float is raised. The level of the float is directly proportional to the flow rate. The float reaches the stable position in the tube when the upward force entered by the flowing liquid equals to the downward gravitational force entered by the weight of float. Aster provides a full range of rotameters for your applications.



PANEL MOUNT



FLANGED (PP/SS)

**NEW!**



NG Rotameters with TINTED GLASS reduce the chances of algae formation by 40%

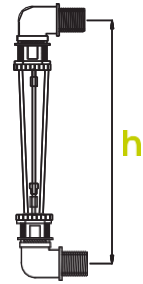
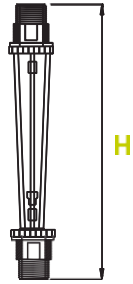
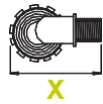
\*Available in panel/online & field mount

## KEY ATTRIBUTES

- A varied range of flow rate from **10 LPH TO 60000 LPH**
- Over **15 DIFFERENT MODELS** available to suit all ranges
- **SS 316 TRICHLOR END FITTING FOR FOOD GRADE APPLICATION**
- Each rotameter is **FACTORY CALIBRATED** with readings traceable to NABL Lab.
- **TEMPER-PROOF & SUNLIGHT-PROOF GRADUATION STICKER**
- Enhanced meter readability using **PRECISION TEXTURED BODY**
- **SS 316 ROD & FLOAT** in the rotameter for rust free usage.
- Each float is buffed for **ACCURACY & REPEATABILITY**
- Single piece, injection moulded, **polycarbonate** body for **TRANSPARENCY & STRENGTH**
- **LOW PRESSURE DROP**
- Each rotameter is **HYDRO-TESTED** at **8kg/cm<sup>2</sup>** pressure.

Available with Your Trusted Partner for Water Treatment Solutions:





**FIELD MOUNT**

**PANEL MOUNT**

Fluid	Water
S.G. Of Medium	1
Max. Operating Pressure	5 kg/cm <sup>2</sup>
Max. Operating Temperature	60°C
Accuracy	± 2% of FS
Scale Graduation	LPH/LPM
End Connection	15 NB to 65 NB BSP
Configuration - Inlet	Bottom
- Outlet	Top

Mounting	Panel/Online
Scale Sticker	Temper Proof
Float	SS 316
Body Material	Polycarbonate
Nut/End Nipple Material	ABS
O - Rings	Nitry\Rubber

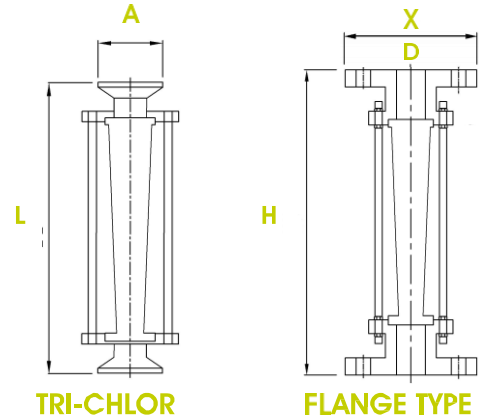
PLASTIC THREADED END								
FEATURE	H	**h	d	*D	X	IN/OUT NOZZLES	FLOW RANGE LPH	LEAST COUNT LPH
F100	165	154	42	24	45	15 NB M	10-100	10
F200	165	154	42	24	45	15 NB M	20-200	10
F500	165	154	42	24	45	15 NB M	50-500	50
F600	165	154	42	24	45	15 NB M	50-600	50
F1200s	165	154	42	24	45	15 NB M	200-1200	100
F1600s	165	154	42	24	45	15 NB M	200-1600	100
F1200	255	260	60	30	100	20 NB M	200-1200	100
F2400	255	260	60	30	100	20 NB M	200-2400	200
F3000	255	260	60	30	100	20 NB M	300-3000	300
F5000L	400	385	80	34	120	25 NB M	500-5000	500
F7500L	400	390	80	50	120	40 NB M	500-7500	500
F10000L	400	390	80	50	120	40 NB M	2000-10000	500
F12000L	400	390	80	50	120	40 NB M	3000-12000	500
F15000L	400	390	80	50	120	40 NB M	3000-15000	500
F20000	480	605	116	75	N.A.	50 NB F	2000-20000	2000
F30000	480	605	116	75	N.A.	50 NB F	3000-30000	3000
F50000	480	605	116	75	190	65 NB M	10000-50000	5000
F60000	480	605	116	75	190	65 NB M	20000-60000	5000

F20000 and F30000 also available in 65 NB end connections for panel mount.  
 \*\*Note: Suffix 'E' should be used for Panel mount and 'O' for Online  
 \*\*Note: For Panel mount rotameter, the panel should have **two holes of \*D mm dia with a centre to centre distance of \*\*h mm** as per technical specification  
 • All dimensions are in mm.

**AVAILABLE FLOW RANGES**

FEATURE	FLANGE TYPE			TC TYPE			FLOW RANGE LPH	LEAST COUNT LPH
	X	D	H	BSTD FLANGE	L	A		
F100 O	NA	NA	NA	NA	162	50.5	10-100	10
F200 O	NA	NA	NA	NA	162	50.5	20-200	10
F500 O	NA	NA	NA	NA	162	50.5	50-500	50
F600 O	NA	NA	NA	NA	162	50.5	50-600	50
F1200s O	NA	NA	NA	NA	162	50.5	200-1200	100
F1600s O	NA	NA	NA	NA	162	50.5	200-1600	100
F1200 O	114.3	82.6	300	25NB	230	50.5	200-1200	100
F2400 O	114.3	82.6	300	25NB	230	50.5	200-2400	200
F3000 O	114.3	82.6	300	25NB	230	50.5	300-3000	300
F5000 O	134	98.4	300	40NB	270	64	500-5000	500
F9000 O	134	98.4	300	40NB	270	64	1000-9000	500
F12000 O	134	98.4	300	40NB	270	64	3000-12000	500
F15000 O	134	98.4	300	40NB	270	64	4000-15000	500
F20000 O	165.1	127.0	500	65NB	500	77.5	2000-20000	2000
F30000 O	165.1	127.0	500	65NB	500	77.5	3000-30000	3000
F50000 O	165.1	127.0	500	65NB	500	77.5	10000-50000	5000
F60000 O	165.1	127.0	500	65NB	500	77.5	20000-60000	5000

- \* F20000, F30000 & F50000 are also available in A=91mm
- \* F1200 O to F60000 O available with SS 316/PP flanged end
- \* F60000 available with 80 NB SS 316/PP flanged end
- Accuracy: ±2% of FSD
- Calibration: Water Sp.Gr.1
- Pressure Drop: 0.3kg/cm<sup>2</sup> (At Max.Flow)
- Max. Operating Temp.: 60°C
- Max. Operating Pressure: 5kg/cm<sup>2</sup>
- All dimensions are in mm.



**AVAILABLE FLOW RANGES**

FLANGED TYPE: Standard Flange  
 25 NB from 1200lph to 3000lph  
 40 NB from 5000lph to 15000lph  
 65 NB from 20000lph to 60000lph

TRI-CHLOR TYPE:

- F100 to F1600s
- F1200 to F3000
- F5000 to F15000
- F20000 to F50000

