

MXF SERIES

**Horizontal Single-stage Centrifugal Pumps
50 Hz**



Available with Your Trusted Partner for Water Treatment Solutions:



Workshop: 14-15, Panchratna Industrial Estate, Opp Satyam Mall, Sumip Composite-3 Lane, B/h VR Pilsulfate, Changodar-382213
Office: B-214, Nilkanth Palace, 100 feet Anandnagar Road, Satellite, Ahmedabad-380015
Phone: 9227418504/7227061661 | Email: sales@fiplco.com | Website: www.fiplco.com

INTRODUCTION

The Lubi **MXF** pumps are non-self priming, horizontal, single-stage, centrifugal pumps.

Motor and pump are close coupled in a convenient and compact design for quick installation in limited space.

These pumps are available from 0.37 to 1.50 kW for single phase as well as three phase power supply.

The pumps have axial suction port and radial discharge port.

Pump casing and impellers are made of stainless steel AISI 304. Motor shaft is made of carbon steel and pump shaft is made of stainless steel.

The pump is fitted with a maintenance-free, mechanical shaft seal.

APPLICATIONS

These pumps are suitable for liquids which are thin, clean, slightly aggressive, non-explosive, not containing solid particles or fibers.

- Domestic water supply systems
- Civil & industrial water supply systems
- Sprinkler systems
- Irrigation
- Gardens, farms.

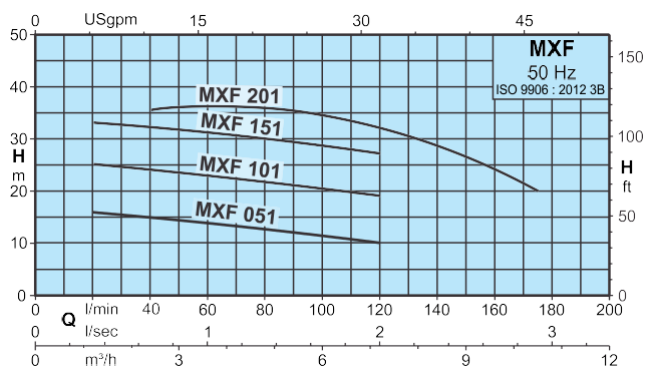
OPERATING CONDITIONS

Flow range : Up to 10.5 m³/h
 Head range : Up to 36 metres
 Ambient temperature : Max. +50°C
 Liquid temperature range: 0°C to +90°C
 Total suction lift : Up to 7.5 metres

MOTOR

Motor type : TEFC 2-pole motor
 Ratings : 1 phase - 0.37 to 1.50 kW
 : 3 phase - 0.37 to 1.50 kW
 Rated speed : 2900 rpm
 Enclosure class : IP 44
 Insulation class : F
 Nominal voltage : 1 phase 230 V
 : (Tolerance +5% / -15%) 3 phase 415 V
 Supply frequency : 50 Hz
 Duty / Rating : S1 / Continuous
 Direction of rotation : Clockwise as seen from the motor rear end

PERFORMANCE CURVES & PERFORMANCE DATA



PUMP TYPE	MOTOR POWER		Q m ³ /h	1.2	2.4	3.6	4.8	6	7.2	8.4	9.6
	kW	HP		20	40	60	80	100	120	140	160
MXF 051	0.37	0.50	H m	16	15	13.5	13	11.5	10		
MXF 101	0.75	1.00		25	24	22.5	22	20	19		
MXF 151	1.10	1.50		33	32	31	30	28.5	27		
MXF 201	1.50	2.00		36	37	36	33	32	28	23	

SECTIONAL DRAWING & MATERIALS

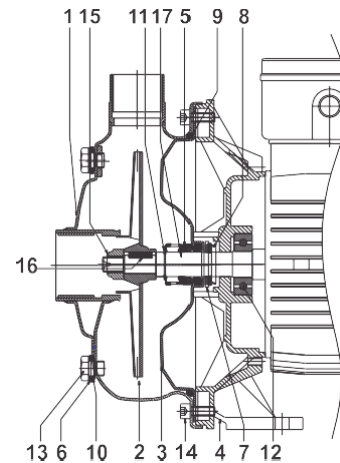
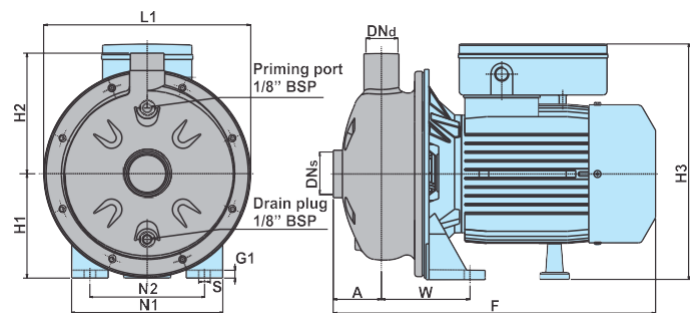


FIG.1 SECTIONAL DRAWING OF MXF PUMP

POS.	COMPONENT	MATERIAL
2	Impeller	Stainless steel AISI 304
4	Adaptor	Aluminium/Cast iron
	Mechanical shaft seal	
6	"O" ring cover washer	Stainless steel AISI 410
	Water thrower	
8	"V" seal	NBR
10	Plug "O" ring	NBR
12	Bearing	-
14	Socket head cap screw	Stainless steel
	Self lock nut	
16	Key	Stainless steel AISI 410
	Shaft	Motor - Carbon steel

DIMENSIONS & WEIGHT



PUMP TYPE	kW	HP	FRAME SIZE	DN _s [BSP]	DN _d [BSP]											GROSS WEIGHT [kg]	GROSS VOLUME [m ³]		
			71	1 1/2"	1"												9	10.5	0.0310
MXF 101	0.75	1.00	71	1 1/2"	1"	335	108	125	239	53	95	157	119	237	8	8	9	12.0	0.0310
			80	1 1/2"	1"												11	21.0	0.0530
MXF 201	1.50	2.00	80	1 1/2"	1"	363	122	137	268	52	95	186	148	237	12	11	11	21.5	0.0530

Note: All dimensions in mm unless otherwise noted.

Available with Your Trusted Partner for Water Treatment Solutions:

