

RJP SERIES



RO Feed Water Pumps
50 Hz



PERFORMANCE RANGE

Flow rate up to 50 l/min (3 m³/h)
Dynamic head up to 45 m.

APPLICATIONS

For (RO) Reverse Osmosis Feed Water

SPECIAL FEATURES ON REQUEST

Other voltages.
Available in three phase.
Special mechanical seal.
Higher liquid or ambient temperatures.

MOTOR

2-pole induction motor, 50 Hz (n = 2900 RPM)
Single phase 230V +5% - 15% with thermal protection.
Insulation class F.
Protection IP 44.
Constructed in accordance with IEC 34.

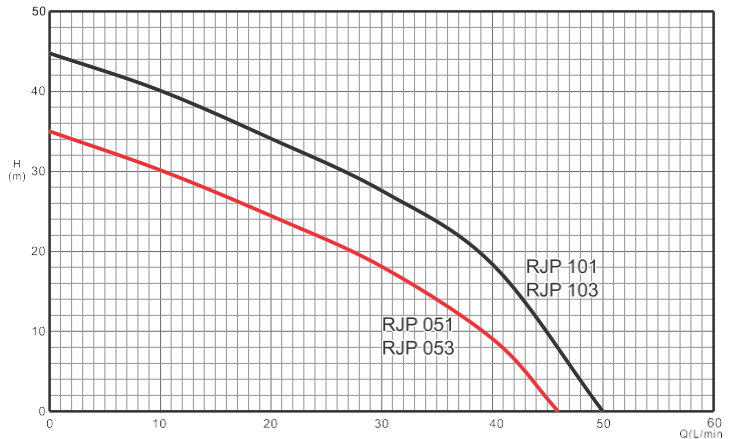
OPERATING CONDITIONS

Liquid temperature up to 90°C.
Ambient temperature up to 50°C.
Total suction lift up to 7.5 m.
Continuous duty.

MATERIAL

Component	Material
Pump casing	AISI304
Impeller / Back Cover	Noryl
Bracket and motor casing	Aluminum alloy / Cast Iron
Shaft	Steel
Mechanical Seal	NBR / Ceramic / Carbon

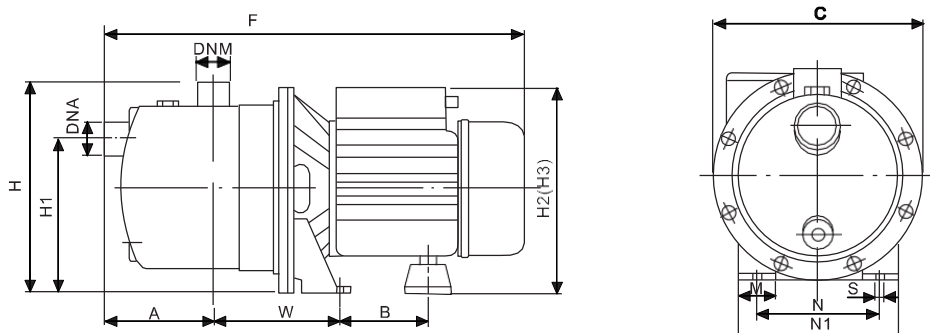
PERFORMANCE CURVE



PERFORMANCE DATA

Model		Motor Rating		Pipe Size	Discharge									
					l/min.	0	10	20	30	40	46	50		
1 PH	3 PH	KW	HP	Suc. x Del.	Head in Meters									
RJP 051	RJP 053	0.37	0.5	25 x 25	H	35	30	24	18	8	0	-		
RJP 101	RJP 103	0.75	1.0	25 x 25	m	45	40	34	28	18	8	0		

DIMENSIONS



All Dimensions in mm

Model		A	B	C	F	H	H1	*H2	*H3	M	N	N1	S	W	DNA	DNM	WEIGHT KG
1 PH	3 PH																
RJP 051	RJP 053	90	67	195	360	210	157	240	240	31.5	66	97.5	10	81	1"	1"	9.4
RJP 101	RJP 103	90	67	195	360	210	157	240	240	31.5	66	97.5	10	81	1"	1"	10.2

Available with Your Trusted Partner for Water Treatment Solutions:

